	No.1272E	<h1 style="margin: 0;">LA1135, 1135M</h1> <p style="margin: 5px 0 0 0;">AM TUNER SYSTEM FOR CAR RADIOS, HOME STEREOS</p>
---	----------	--

The LA1135 is a high-performance AM electronic tuner IC that is greatly improved in cross modulation characteristic. It is especially suited for use in car radio and home stereo (antenna: loop) applications.

Functions

- MIX ● OSC (with ALC) ● IF amp ● Detector ● AGC (normal) ● RF wide-band AGC
- Auto search stop signal (signal meter output) ● Local oscillation buffer output ● Others

Features

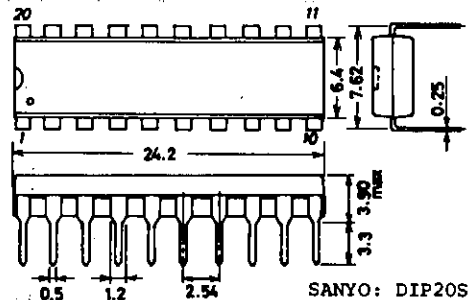
- Excellent cross modulation characteristic: Meets the requirements for preventing not only adjacent-channel interference but also interference caused by all channels within broadcast band.
- Narrow-band signal meter output: Usable as auto search stop signal. Has linearity up to 80 dBμ.
- Local oscillation buffer output: Facilitates designing of electronic tuner system, frequency display, etc.
- OSC (with ALC): Improves tracking error because oscillation output is stabilized at a low level (380 mVrms) for varactor diode.
- MIX: Double-balanced differential MIX meeting the requirements for preventing spurious interference, IF interference.
- Good characteristic at high input: 130 dBμ input fm = 400 Hz 80 % mod THD = 0.4 % typ
- Low noise: Good S/N at medium input (56 dB typ)
- Usable sensitivity: (S/N = 20 dB input): 25 dBμ (2SK315 I_{DSS} = 11 mA)
- V_{CC} variation compensation: Less variation in gain, distortion: 8 to 12 V
- Reduced pop noise: Capable of reducing pop noise at the time of V_{CC} ON, mode select by adjusting AGC time constant

Maximum Ratings/T_a = 25°C

Maximum supply voltage	V _{CC} max	Pins 8, 14	16	V
Output voltage	V _o	Pins 7, 10	24	V
Input voltage	V _i	Pin 6	5.6	V
Current dissipation	I _{CC}	Pins 7+8+10+14	41	mA
Flow-out current	I ₁₈	Pin 18	2	mA
	I ₂₀	Pin 20	2	mA
Allowable power dissipation	P _d max		730	mW
	P _d max	[LA1135M]T _a ≤ 60°C, with PBC	660	mW
Operating temperature	T _{opr}		-20 to +70	°C
		[LA1135M]	-40 to +80	°C
Storage temperature	T _{stg}		-40 to +125	°C

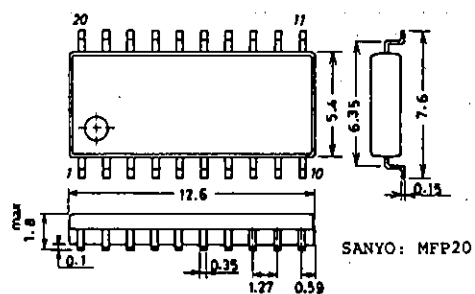
Package Dimensions (unit: mm)

3021B-D20SIC



Package Dimensions (unit: mm)

3036B-M20IC



Operating Conditions/ $T_a = 25^\circ\text{C}$

			unit
Recommended supply voltage	V_{CC}	8	V
Operating supply voltage range	$V_{CC\text{ op}}$	7.5 to 12	V

Operating Characteristics/ $T_a = 25^\circ\text{C}$, $V_{CC} = 8\text{ V}$, $f_r = 1\text{ MHz}$, $f_m = 400\text{ Hz}$, See specified test circuit.

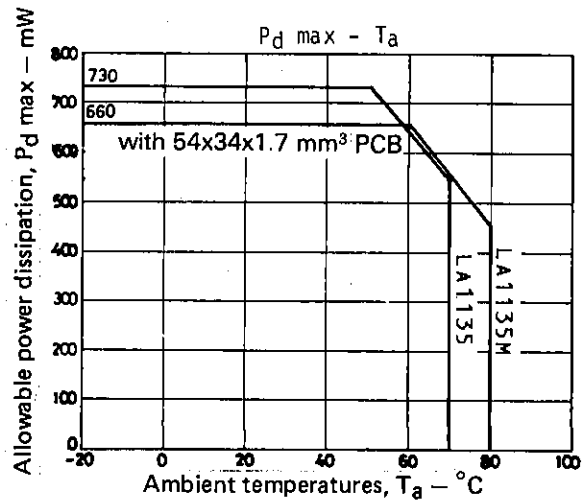
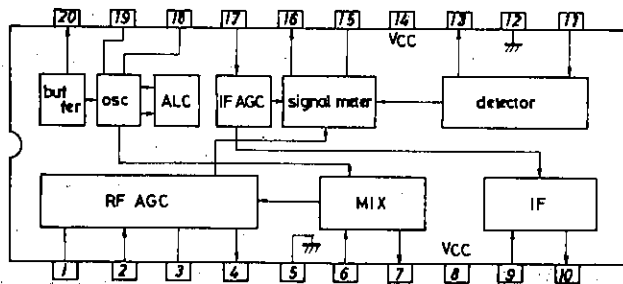
			min	typ	max	unit
Current dissipation	I_{CC} (1)	Quiescent	13.5	22.5	32.5	mA
	I_{CC} (2)	130 dB μ input	20.0	30.0	41.0	mA
Detection output	V_o (1)	16 dB μ input 30 % mod	-29.0	-25.0	-21.0	dBm
	V_o (2)	74 dB μ input 30 % mod	-15.0	-12.0	-9.0	dBm
Signal to noise ratio	S/N	74 dB μ input 30 % mod	51.0	56.0		dB
Total harmonic distortion	THD (1)	74 dB μ input 30 % mod		0.3	1.0	%
	THD (2)	74 dB μ input 80 % mod		0.3	1.0	%
	THD (3)	130 dB μ input 80 % mod		0.4	2.0	%
Signal meter output	V_{SM} (1)	Quiescent		0	0.3	V
	V_{SM} (2)	130 dB μ input	3.5	5.0	7.5	V
Input at signal meter output 1 V	V_{IN} (1)	$V_{SM} = 1\text{ V}$	18.0	24.0	30.0	dB μ
Local oscillation buffer output	$V_{osc\text{ BUF}}$		320	380		mVrms

Reference Characteristics

			typ	unit
Usable sensitivity	Q.S.	Input at S/N = 20 dB (2SK315 $I_{DD5} = 11\text{ mA}$)	25.0	dB μ
Wide-band AGC ON-state input		Reception 1.0 MHz quiescent	82.0	dB μ
		Interference 1.4 MHz non-mod at input for AMT.D. ON		
Detection output variation	Δv_o	Input 74 dB $\mu \rightarrow 130\text{ dB}\mu$	0.2	dB
Local oscillation variation within broadcast band	ΔV_{osc}	$V_{oscL} - V_{oscH}$	15	mVrms
Signal meter band	V_{SM-BW1}	74 dB μ input, frequency at which output is reduced to 1/2	± 1.5	kHz
	V_{SM-BW2}	74 dB μ input, frequency at which output is reduced to 1/10	-4.5/+7	kHz
Selectivity		30 % mod $\pm 10\text{ kHz}^*$	43	dB
IF interference	IF.R.	$f_r = 600\text{ kHz}^*$	77.5	dB
Image frequency interference	IM.R.	$f_r = 1400\text{ kHz}^*$	52.0	dB

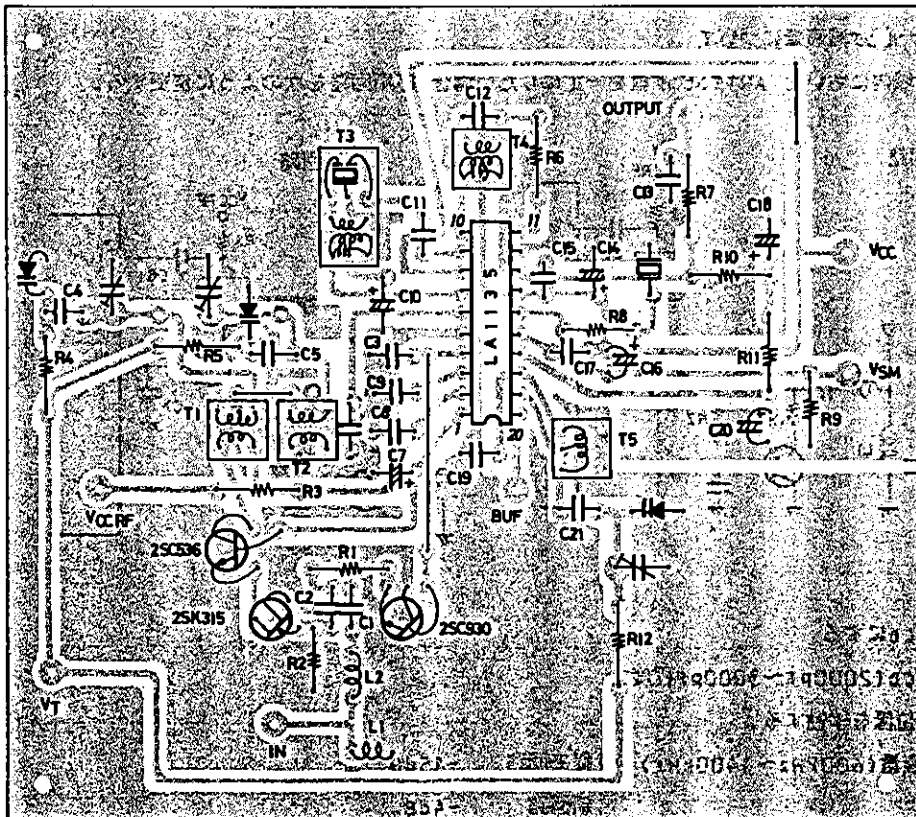
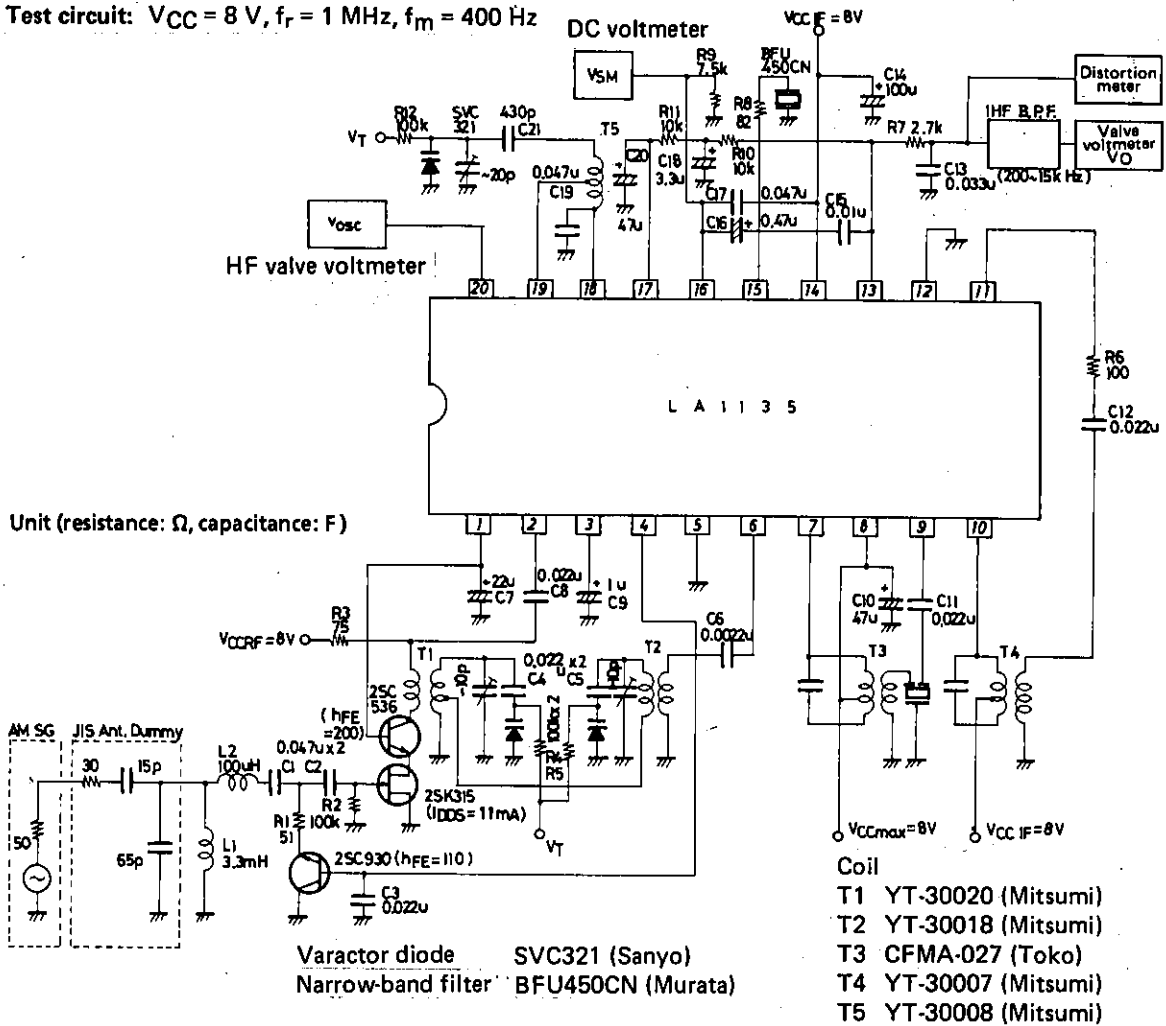
*: Wide-band AGC OFF
(): See circuit on page 6.

Equivalent Circuit Block Diagram



LA1135, 1135M

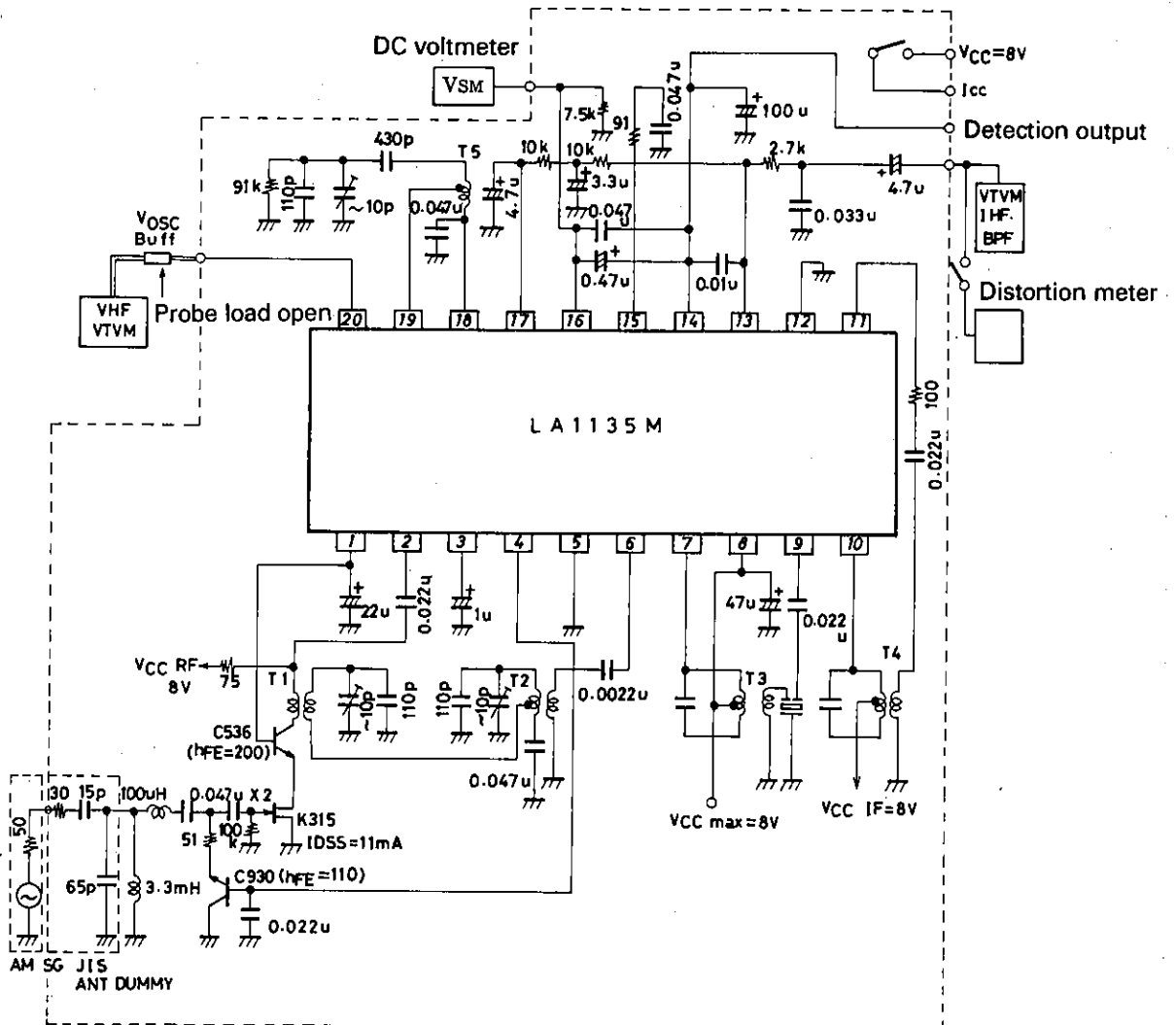
Test circuit: $V_{CC} = 8V$, $f_r = 1\text{ MHz}$, $f_m = 400\text{ Hz}$



Sample Printed Circuit Pattern

105x120 mm²

Test circuit: $V_{CC} = 8V$, $f_r = 1MHz$, $f_m = 400Hz$



Unit (resistance: Ω , capacitance: F)

Coil T1 YT-30202 (Mitsumi)
 T2 YT-30018 (Mitsumi)
 T3 CFMA-021A (Toko)
 T4 YT-30007 (Mitsumi)
 T5 YT-30008 (Mitsumi)

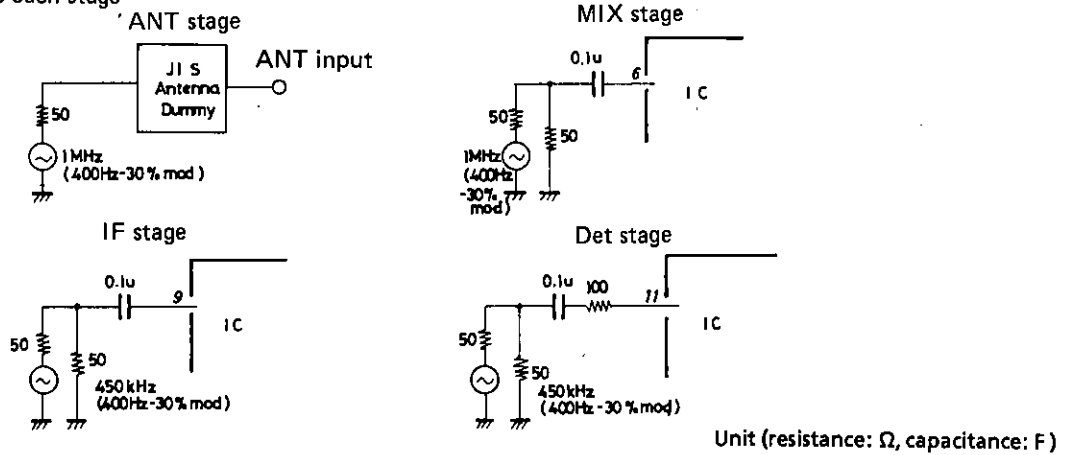
Varactor diode SVC321 (Sanyo)
 Narrow-band filter BFU450CN (Murata)

Proper cares in using IC

1. Bias condition: $RF V_{CC} \leq IF V_{CC}$
2. Avoid coupling between the antenna tuning circuit and the local oscillator.
3. Connect detection capacitor C15 across pins 13 (output) and 14 (VCC) so that no leakage of the IF signal to the GND line occurs. (If connected to GND, the tweet and the usable sensitivity may get worse.) Radiation from C15 may cause harmonics in the IF signal to return to the RF stage, thereby leading to more tweet interference. So, connect C15 as close to pins 13, 14 as possible. Consider the direction of the capacitor and separate it from the ANT circuit.
4. For R9, use a semifixed resistor with V_{SM} considered.
5. When designing the coils, consider the following conditions.
Shown below is the input level at each pin at which the detection output at $f_m = 400$ Hz 30% mod becomes -25 dBm.

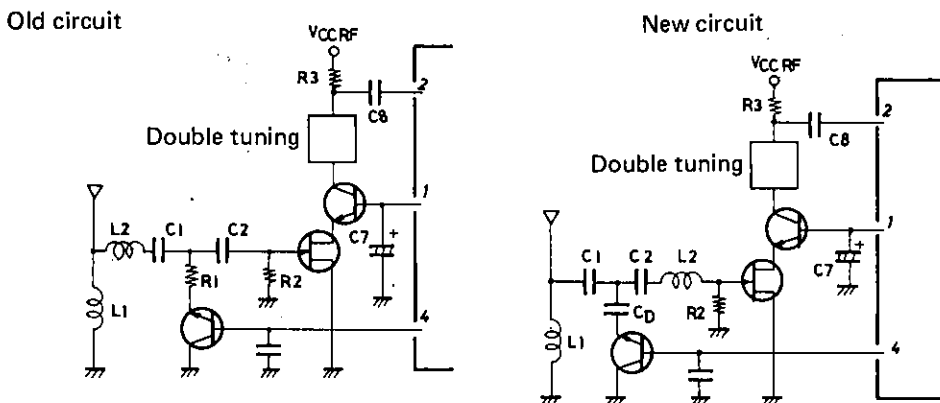
ANT	MIX	IF	Det
16.0	28.0	45.0	61.0 (dBμ)

How to apply input to each stage



6. ANT damping

To make the ANT damping constant within the receiving band, change the application circuit as shown below.



Measures

Replace R1 with C_D .

C_D (2000 pF to 3000 pF or thereabouts)

Relocate L2.

Damping (600kHz to 1400kHz)	}	Old circuit	-15 dB
		New circuit	-4 dB

7. Meaning of L2

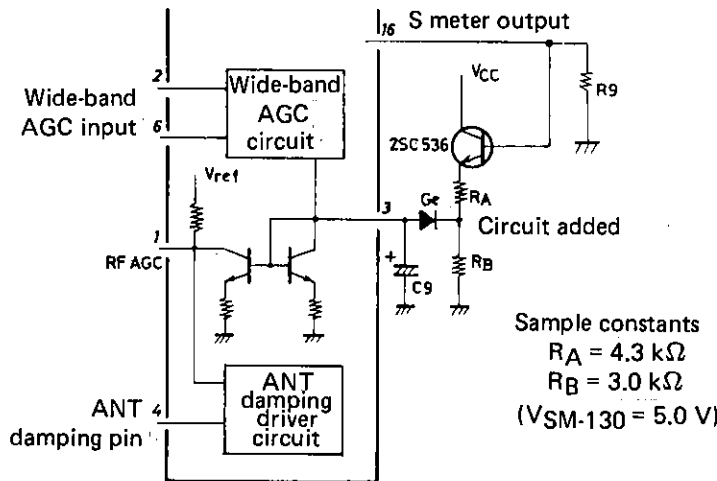
If the RF stage is double-tuned, the difference in sensitivity within the RF band almost disappears, but an anti-resonance point of approximately 20 MHz appears, thereby leading to worse spurious characteristic. So, L2 is used to remove the SW band.

8. Wide-band AGC

This IC contains 2-channel wide-band AGC. Pin 6 detects an undesired signal within the RF band and wide-band AGC is applied. This detection sensitivity is determined inside the IC. Pin 2 detects an undesired signal outside the RF band. This detection sensitivity is determined by R3. When 1 mVrms (f = 1 MHz) signal is applied to pin 2, AGC operates.

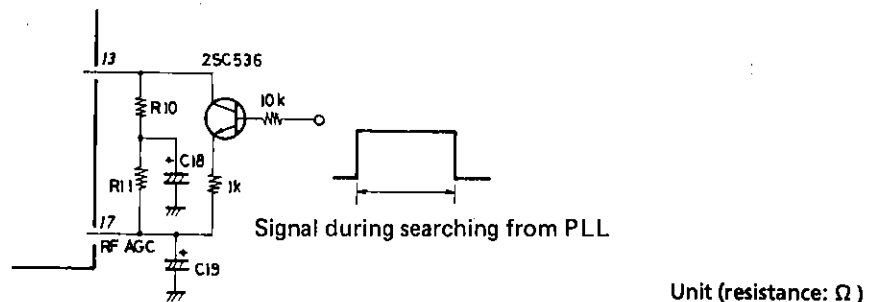
9. Measures against suppression of sensitivity

In the AGC circuit of the test circuit the presence of an undesired signal of high strength within the receiving band may cause the desired signal to be suppressed when the desired signal is low or medium in strength. Shown below is the circuit configuration where the necessary measures are taken against this suppression.



10. Transient response of S meter output at search, stop mode

The circuit configuration shown below is available to stabilize the transient response of the S meter output at the search, stop mode.



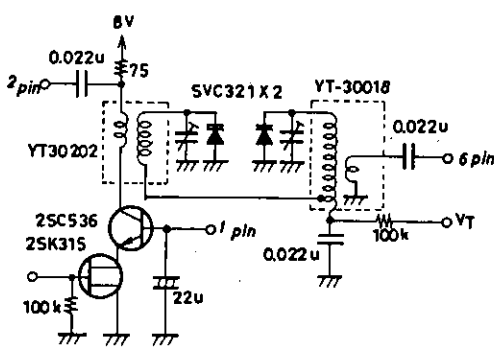
11. When using LW (approximately 50°C or greater), additionally connect a resistor of 27 kohms across pins 18 and 19 against increase in local oscillation level. When using MW, no additional resistor is required.

12. Improvement in image frequency interference

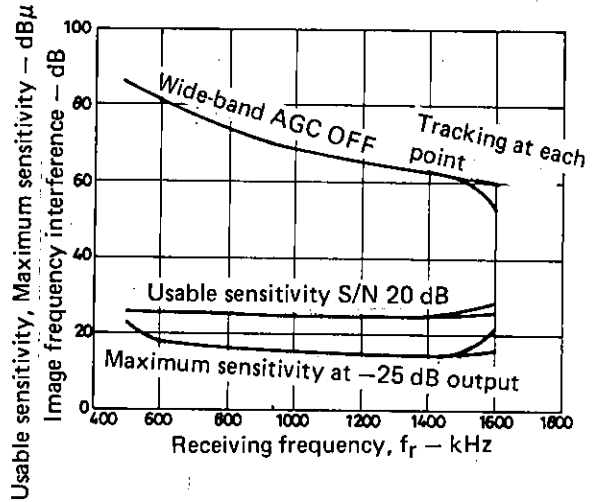
Change the RF double-tuning coil as follows, and the image frequency interference becomes 63 dB at $f_r = 1400 \text{ kHz}$. (Q of the tuning circuit must not be decreased with tuning resistor 100 kohms.)

Continued on next page.

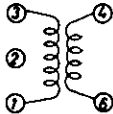
Continued from preceding page.



Unit (resistance: Ω , capacitance: F)



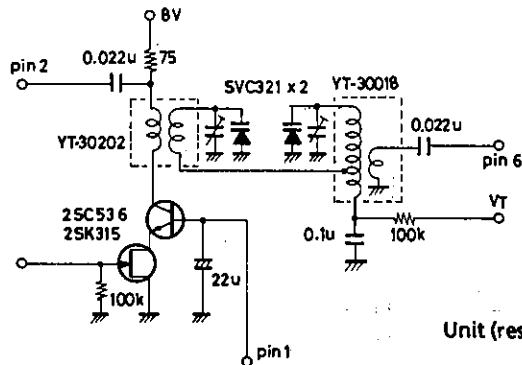
Specification for coil



	YT-30202 (Mitsumi)
1 - 3	8 4 T
4 - 6	1 7 T

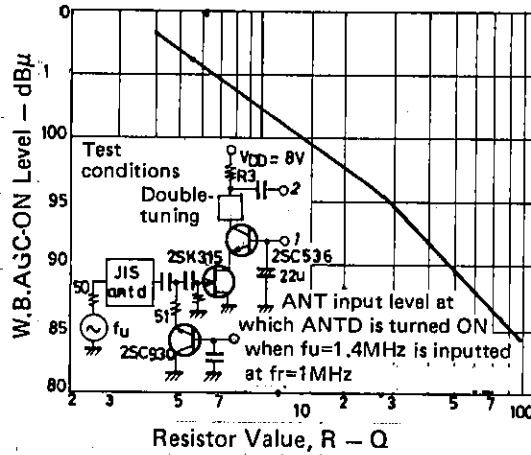
2157-2239-649 (Sumida)
7BRS-9286A (Toko)

13. The variations (especially in case of small coupling coefficient) in the oscillation coil may cause a parasitic oscillation of approximately 100 MHz to occur at the local oscillation buffer output (pin 20) at low temperatures. In this case, connect a capacitor of 30 pF or greater across pin 20 and GND. (When the oscillation coil is used with no tap, no problem arises.)
14. The recommended double-tuning circuit has a loose coupling at 2T. Therefore, the change in the total number of turns may affect the coupling coefficient subtly, causing a tight coupling and making the selectivity characteristic double-humped. Especially for a receiving band of 1400 kHz or more, the tracking method may affect the band characteristic of sensitivity and the cross modulation characteristic considerably. When making a design, check to see if critical coupling occurs or not.
15. Sensitivity difference at 600 kHz or less
In the application circuit configuration shown below, the bypass capacitor in the position where the tuning voltage is applied and coupling L for double-tuning may cause an antiresonance point of 400 kHz to 600 kHz depending on the variations in the coil, varactor diode, etc. The value of the bypass capacitor must be 0.047 μ F or greater. The recommended value is 0.1 μ F.

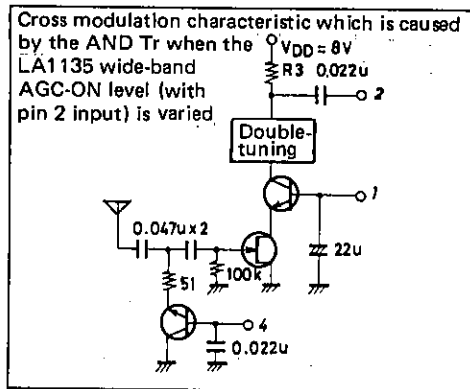


Unit (resistance: Ω , capacitance: F)

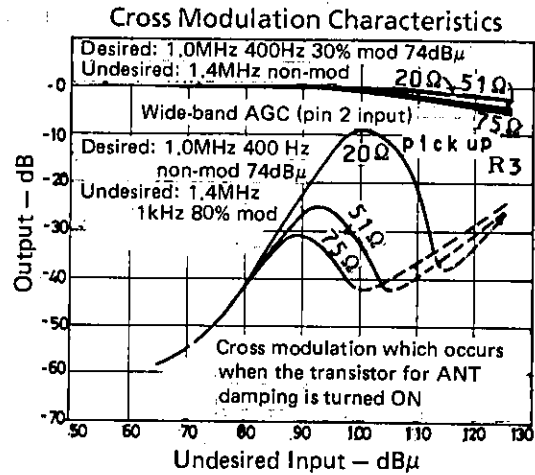
16. Measures against suppression of sensitivity in the presence of an undesired signal of high strength (Sample application where two PIN diodes are used in the antenna damping circuit)
 The LA1135 contains the wide-band AGC circuit (wide-band AGC with pin 2 input) against cross modulation which occurs because an undesired signal of high strength distorts the FET input. The AGC-ON level depends on the value of external resistor R3 as shown below.



When a nonlinear element, such as transistor, is used for antenna damping, cross modulation which occurs when the transistor is tuned ON is as shown below.



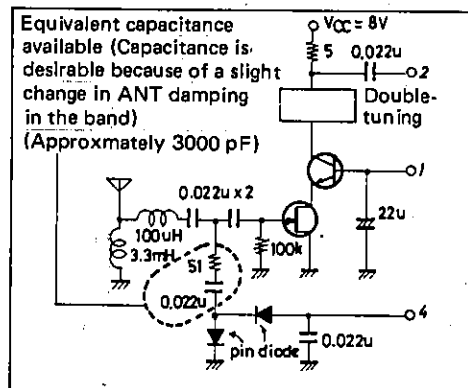
Unit (resistance: Ω, capacitance: F)



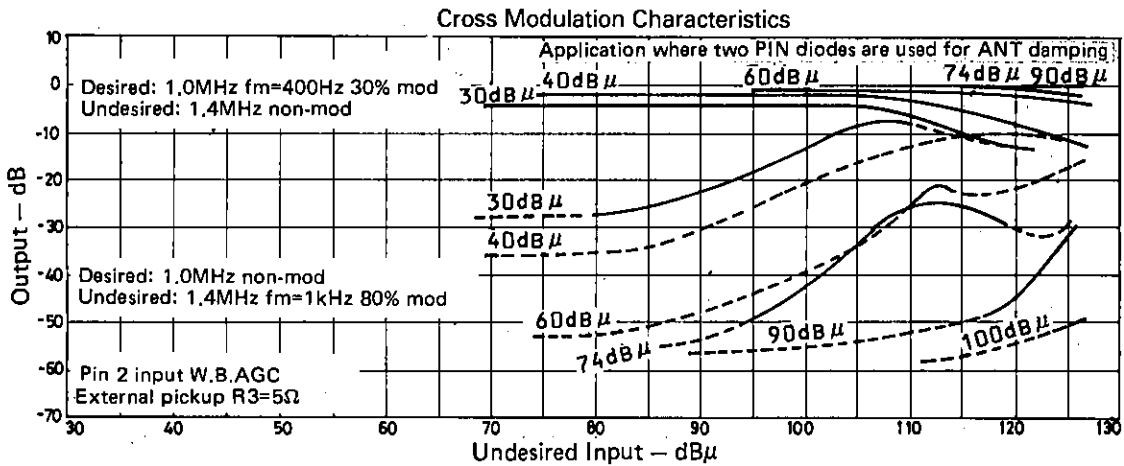
The dynamic range of the FET input covers up to approximately 110 dBμ of antenna input, but the AGC-ON level must be set lower because of the bad effect shown above.

Therefore, there are some cases where it is difficult to receive a desired signal of low strength in the presence of an undesired signal of high strength. To solve this problem, a sample application circuit where two PIN diodes with good linearity are used for antenna damping and its cross modulation characteristic are shown below.

Sample Application Circuit where two PIN diodes are used for ANT damping



Unit (resistance: Ω, capacitance: F)

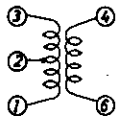


17. For details of the LA1135 wide-band AGC, refer to Technical Data No. 79.

External Parts

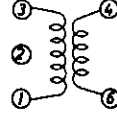
(1) RF double-tuning coil

Primary



L1-3=224 μH

Secondary

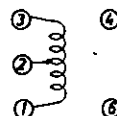


L1-3=224 μH

	YT-30020 (Mitsumi)	2157-2239-518A (Sumida)	7BRS-8934A (Toko)
1-2	2 T	2 T	2 T
6-4	37 T	40 T	35 T
2-3	82 T	90 T	75 T

	YT-30018 (Mitsumi)	2157-2239-517A (Sumida)	7BRS-8932A (Toko)
1-2	2 T	2 T	2 T
6-4	15 T	16 T	14 T
2-3	82 T	90 T	75 T

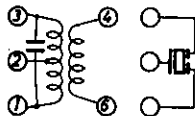
(2) OSC coil



L1-3=118 μH

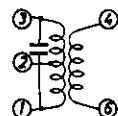
	YT-30008 (Mitsumi)	2157-2239-516 (Sumida)	7BR-5941Y (Toko)
1-2	29 T	34 T	29 T
2-3	29 T	35 T	29 T

(3) IFT (I)



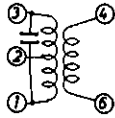
	CFMA-027 (Toko)
1-2	69 T
2-3	77 T
4-6	14 T
Center frequency 450 kHz Qu = 115±20 % Tuning capacitance 180 pF	

High selectivity type



	YT-30042 (Mitsumi) +SFP450H (Murata)
1-2	49 T
4-6	27 T
2-3	103 T
Center frequency 450 kHz Qu = 45±20 % Tuning capacitance 180 pF	

(4) IFT (II)



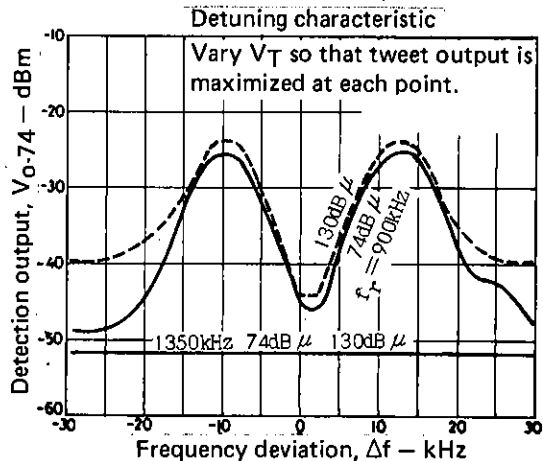
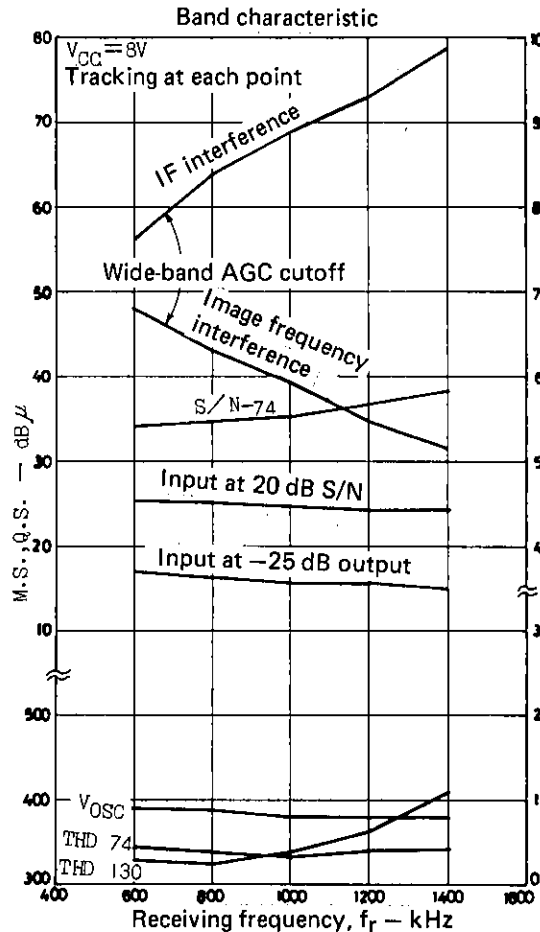
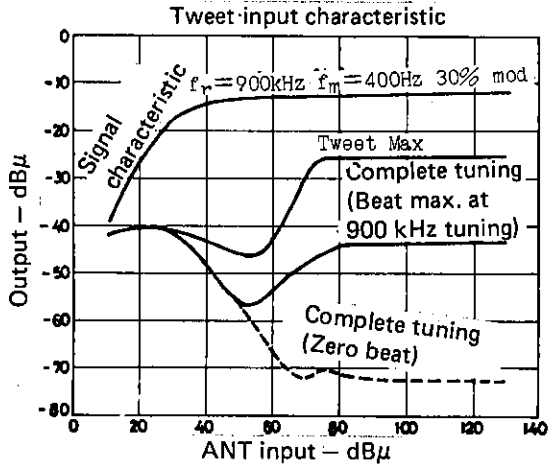
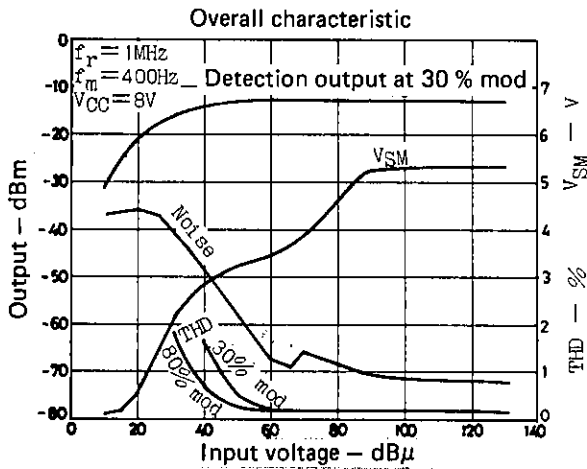
	YT-30007 (Mitsumi)	4140-1289-164 (Sumida)	7MC-6262N (Toko)
1-2	115 T	111 T	110 T
4-6	6 T	6 T	6 T
2-3	37 T	36 T	36 T
	Center frequency 455 kHz, $Q_u = 110\%$ Tuning capacitance 180 pF	Center frequency 455 kHz $Q_u = 110\%$ Tuning capacitance 180 pF	Center frequency 455 kHz, $Q_u = 110\%$ Tuning capacitance 180 pF

(5) Varactor diode: SVC321

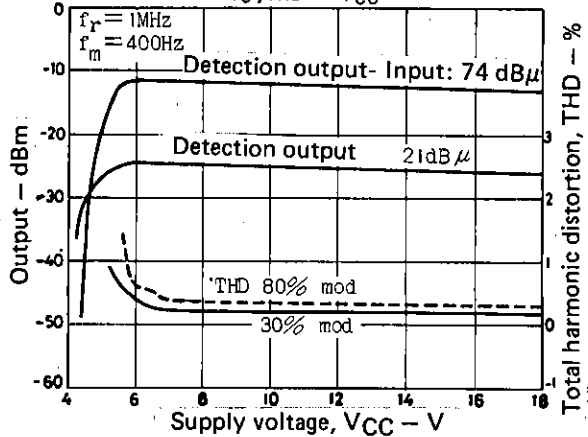
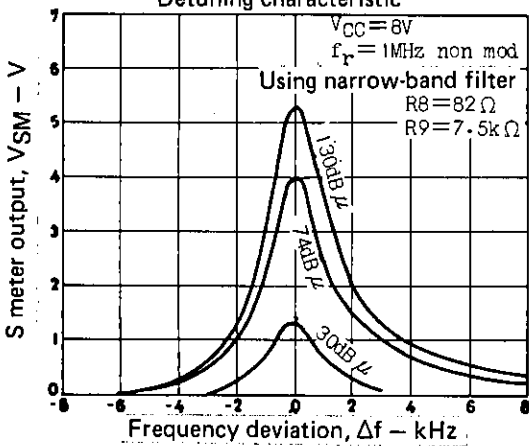
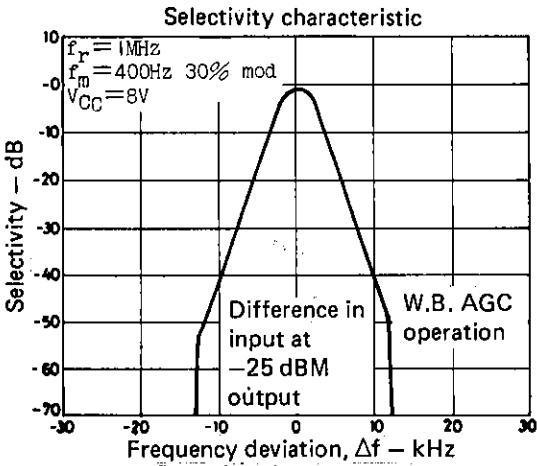
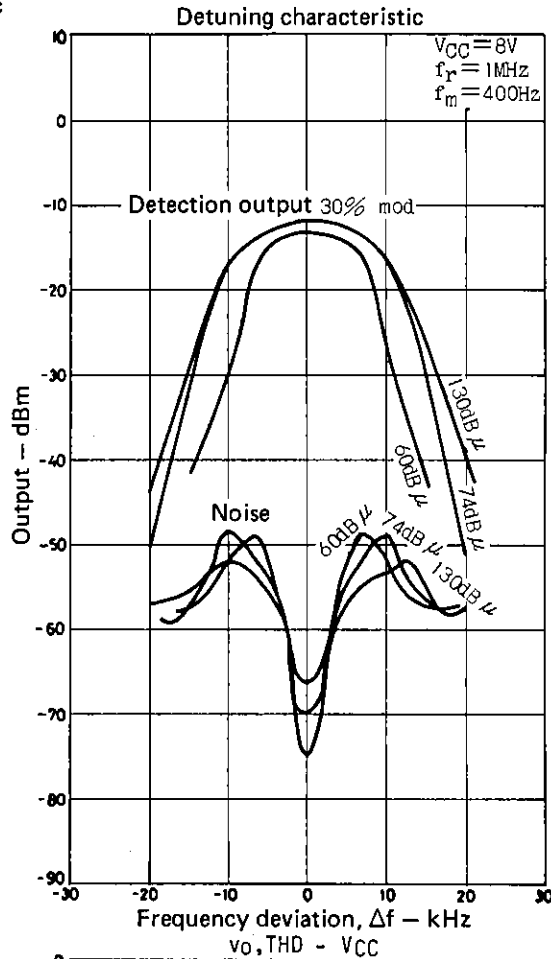
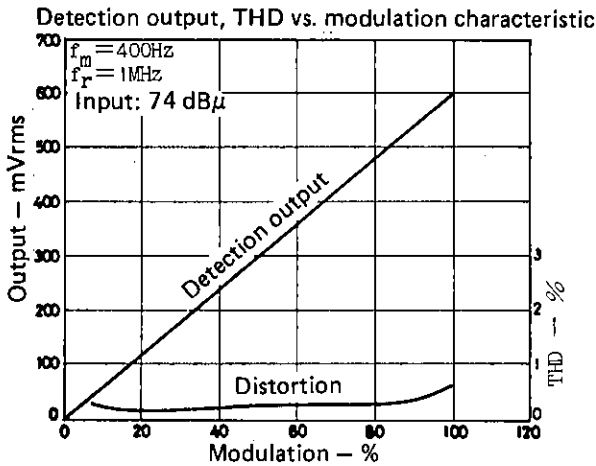
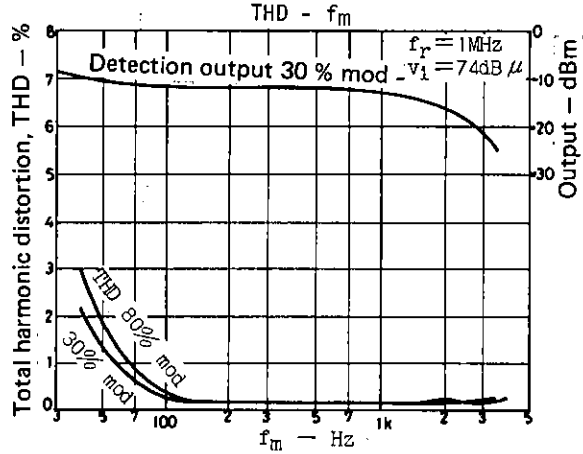
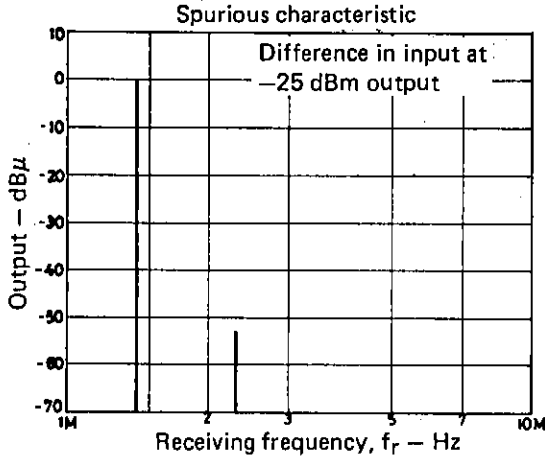
(6) FET at RF stage: 2SK315 F, G
2SK427 T, U

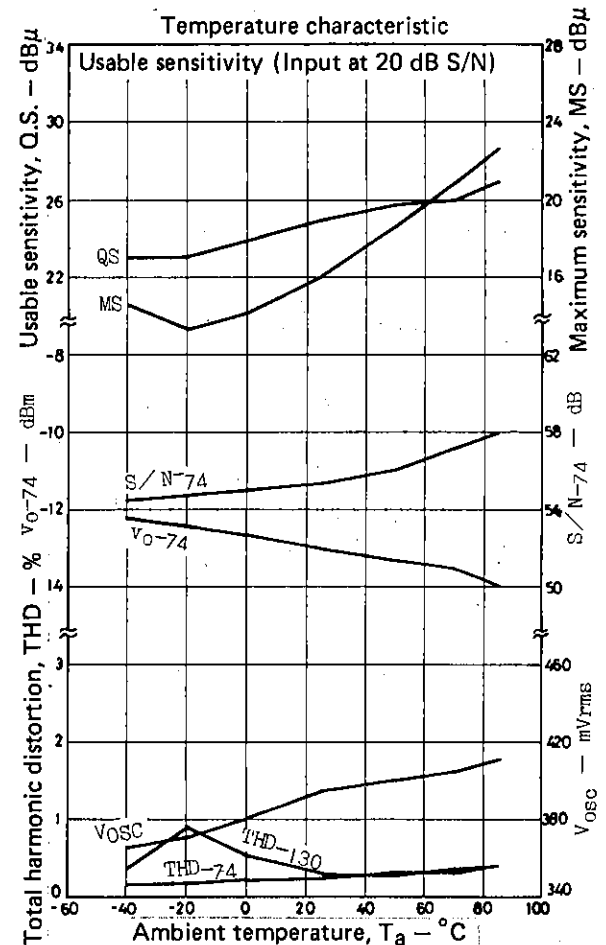
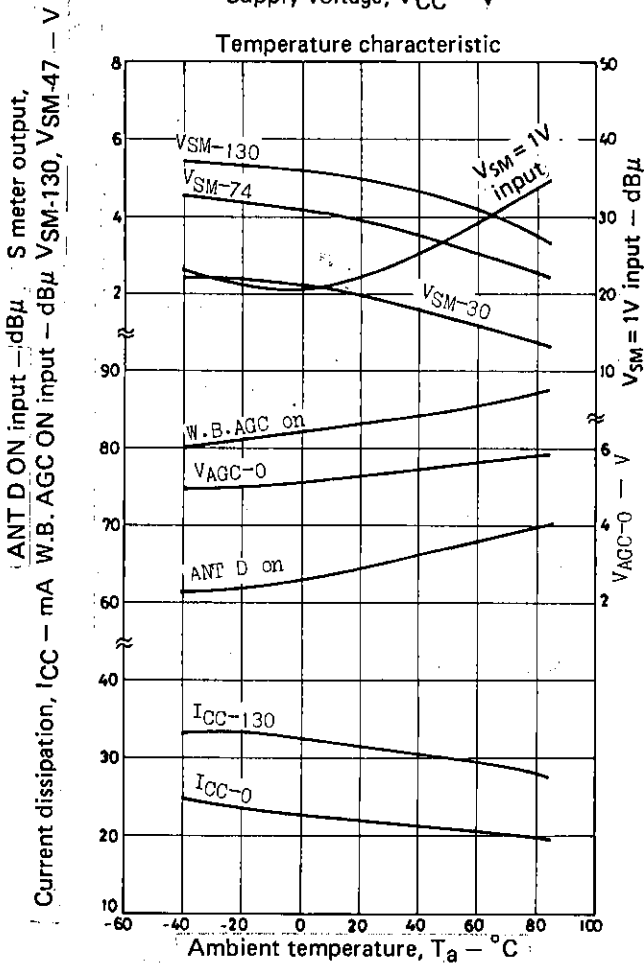
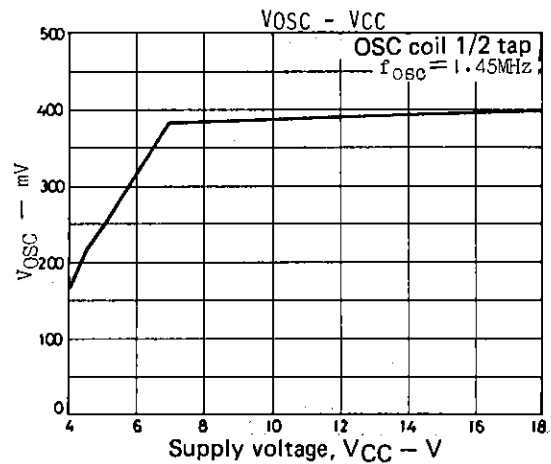
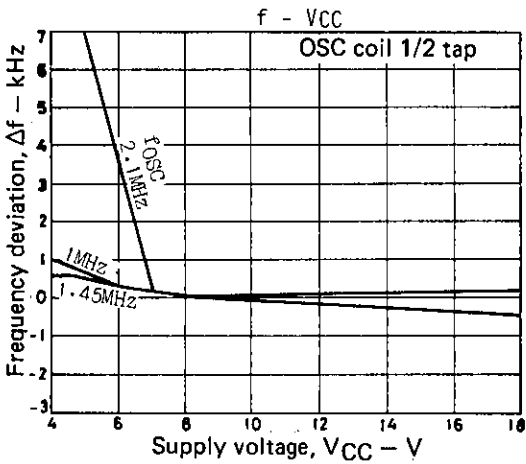
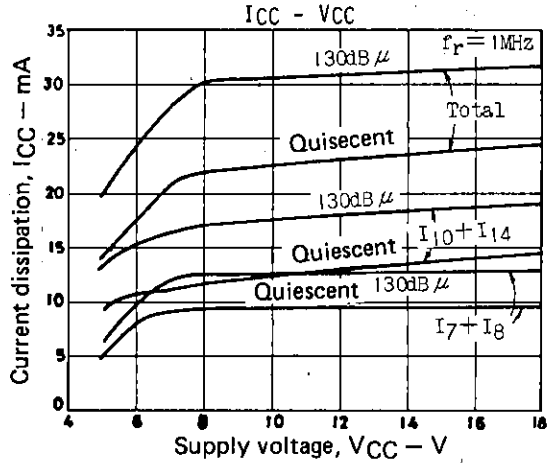
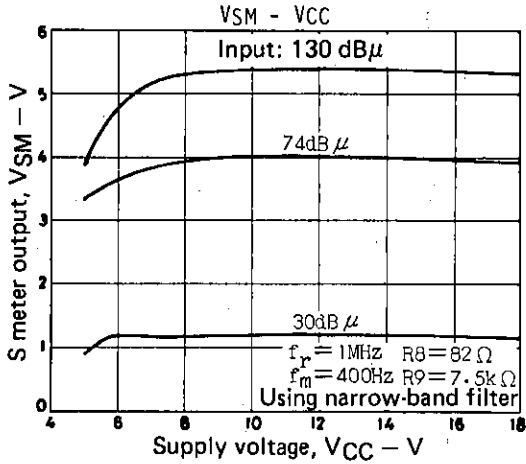
(7) Transistor for AGC
FET AGC: 2SC536 F, G
ANT damping: 2SC930 E

(8) Narrow-band resonator BFU450CN Murata

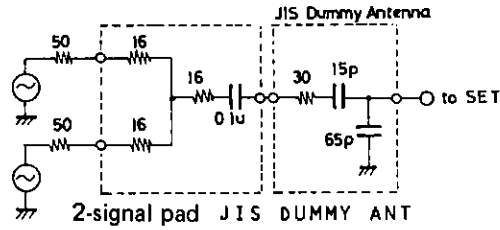


Total harmonic distortion, THD -- % IF Interference, Image frequency interference, S/N-74 -- dB

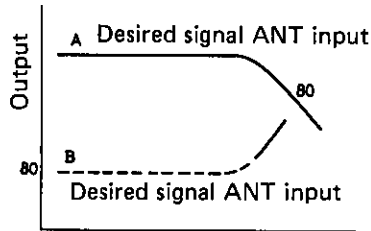




Cross Modulation Characteristic Testing Method



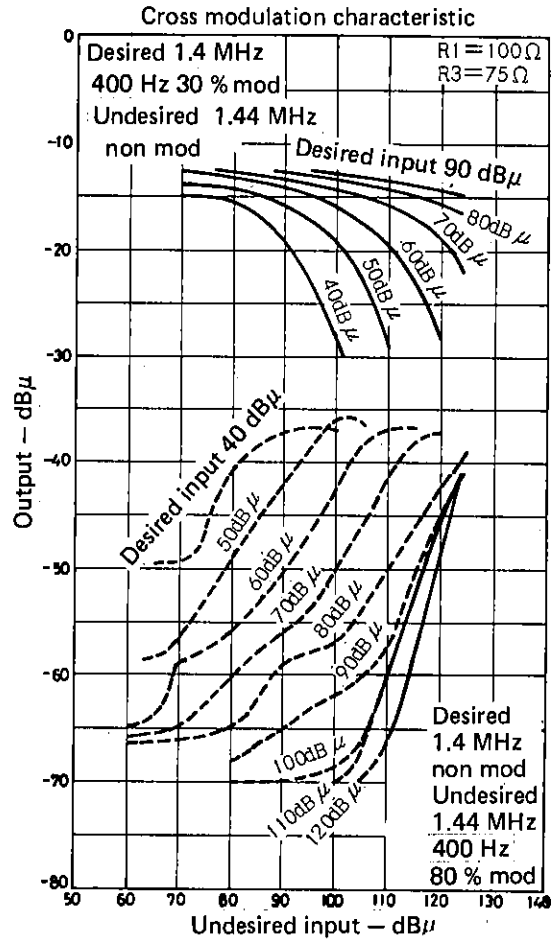
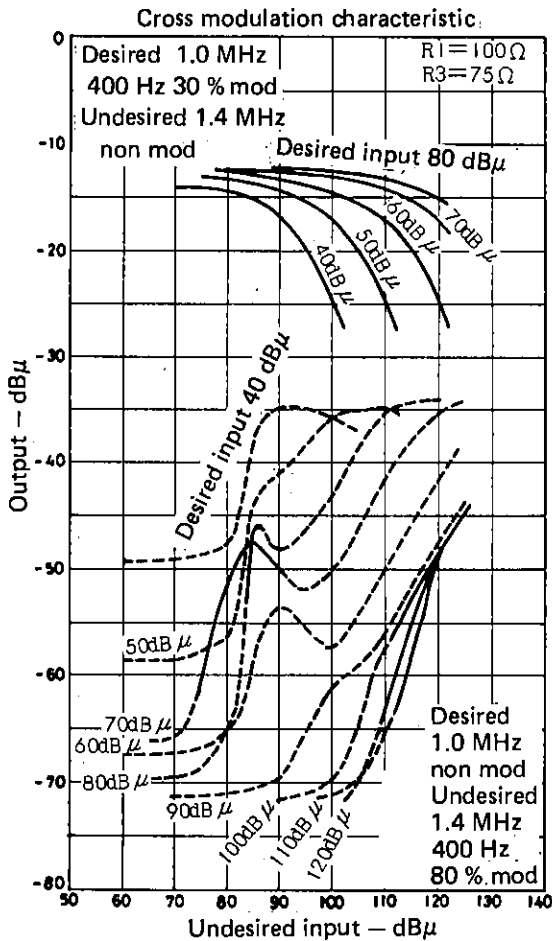
Unit (resistance: Ω , capacitance: F)



A: Desired signal $80 \text{ dB}\mu$ 400 Hz 30% mod. The strength of an undesired signal (non-mod) causes the desired signal to be suppressed.

B: Desired signal $80 \text{ dB}\mu$ non-mod. The strength of an undesired signal (400 Hz 80% mod) causes interference to occur.

Solid line — Interference
Dotted line ---- No interference



Specification for LA1135 loop ANT

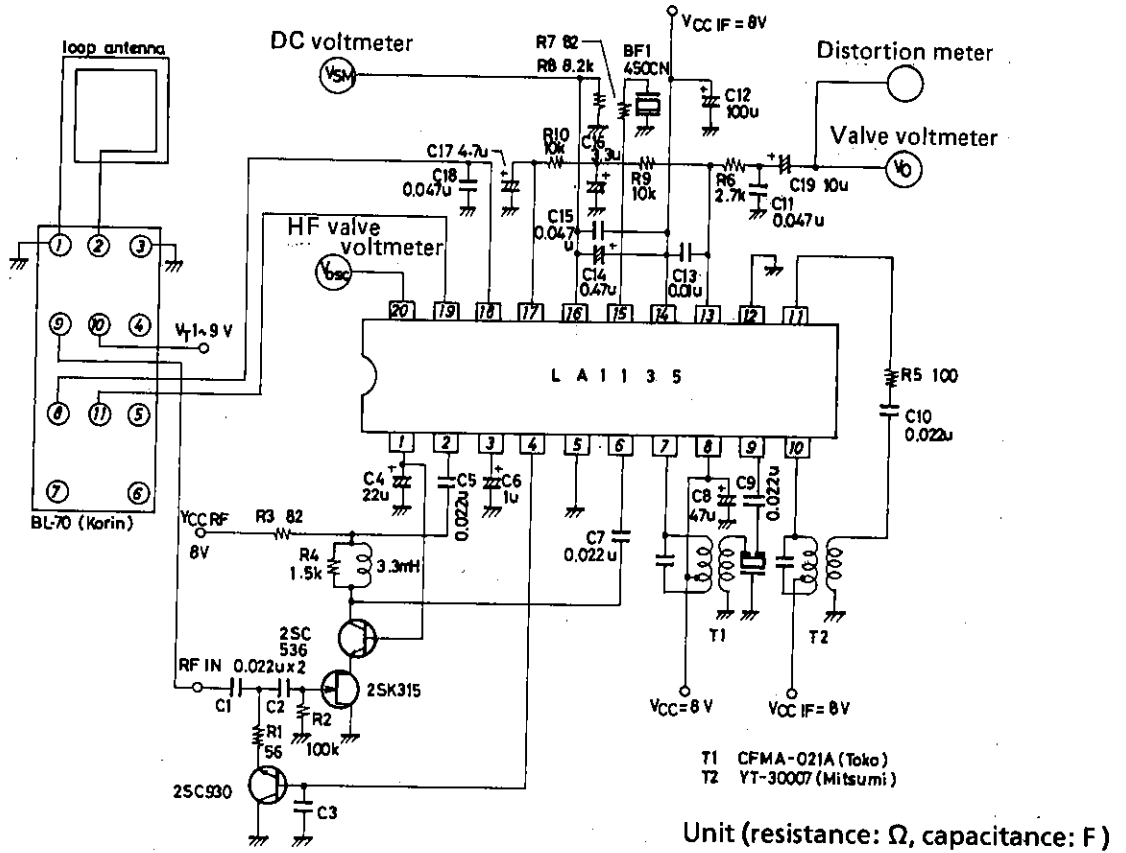
(1) Features of specification for LA1135 loop ANT

1) Excellent high-input characteristic

The antenna damping circuit prevents the antenna circuit from being magnetic-saturated, which results in worsened characteristic, at a high input.

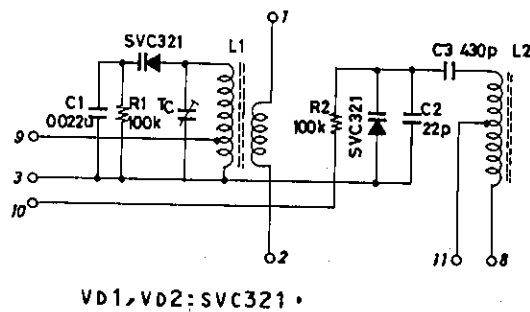
2) Excellent cross modulation characteristic

(2) Application circuit

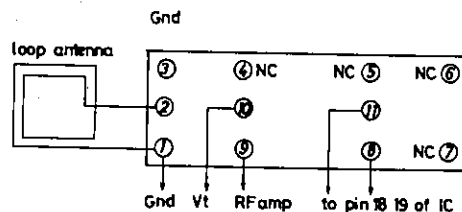


(3) Circuit configuration and connection

3-1 Circuit configuration



3-2 Connection (bottom view)



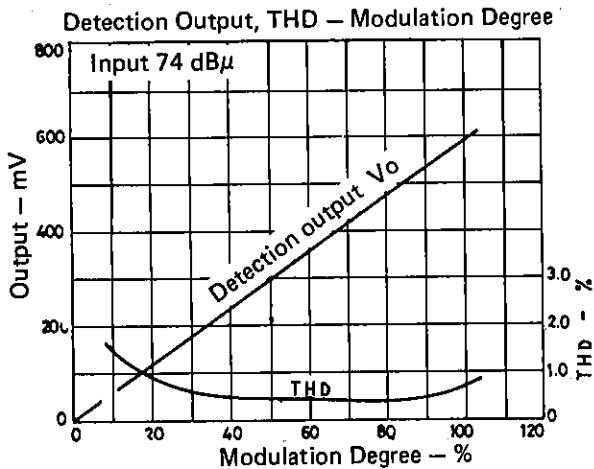
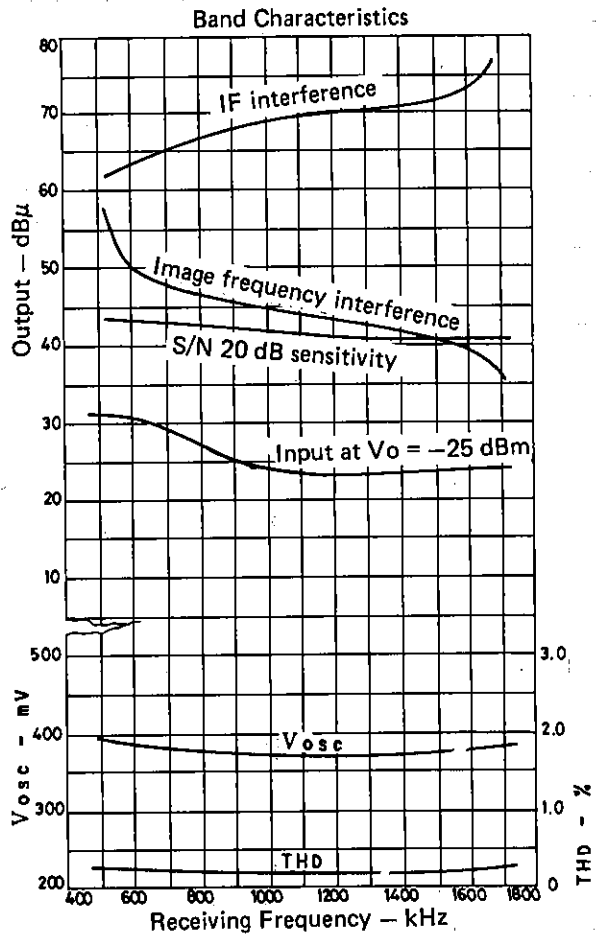
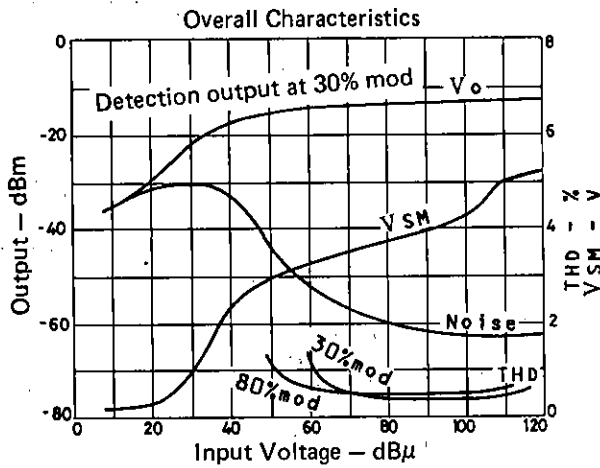
3-3 Pin name

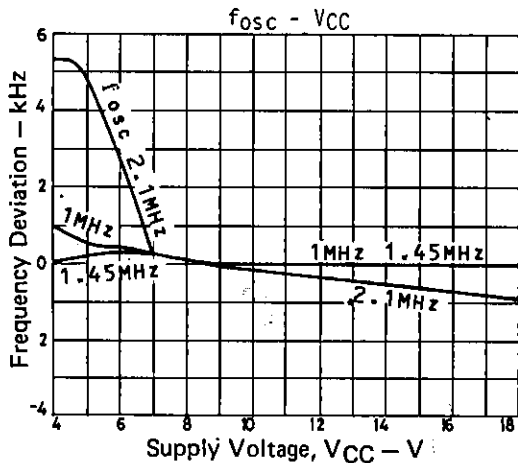
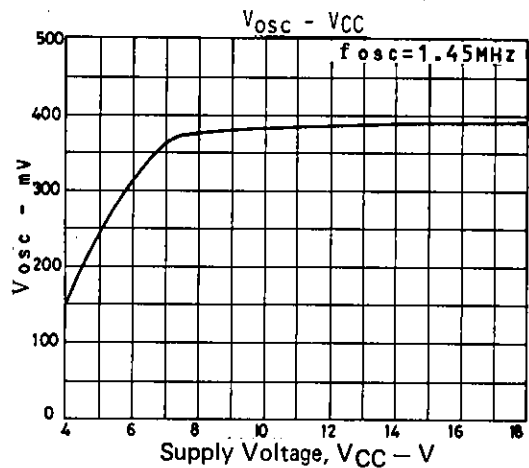
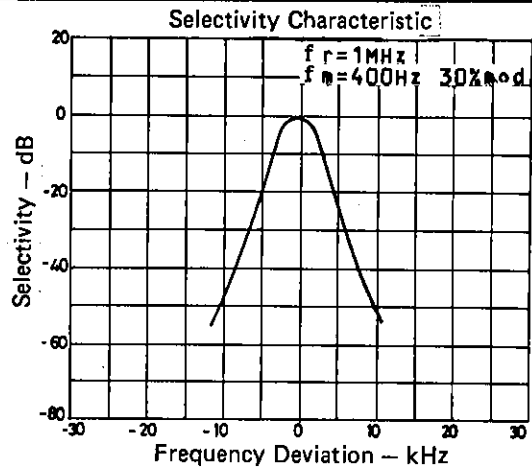
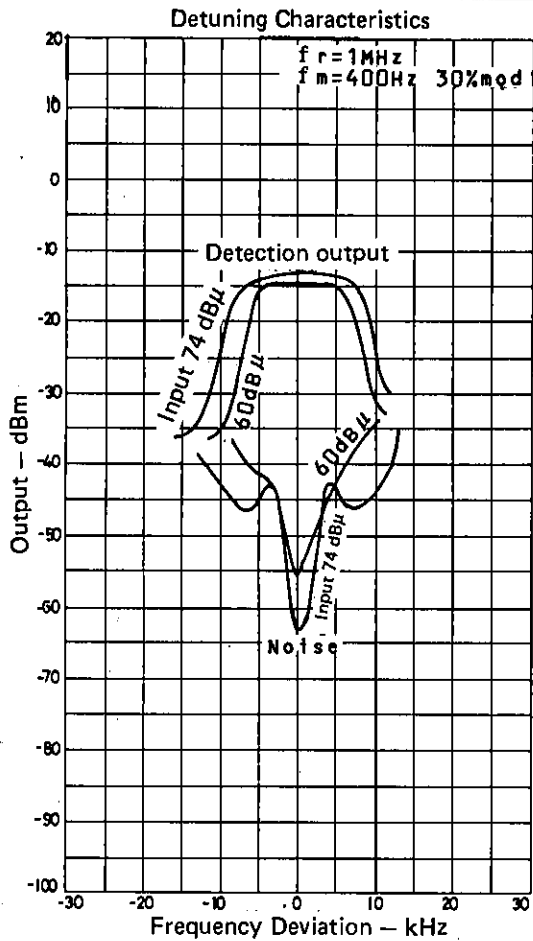
Pin No.	Pin Name
1	Loop ANT
2	Loop ANT
3	RF AMP GND side
4	NC
5	NC

Pin No.	Pin Name
6	NC
7	NC
8	Local OSC
9	RF output
10	Tuning voltage
11	Local OSC

(4) Specification

Receiving frequency band	MW BAND
Tuning voltage	1 to 9V
Loop ANT	42579719100 (LA-1500), 4257976000 (LA100A) (Korin)
IC	LA1135





- No products described or contained herein are intended for use in surgical implants, life-support systems, aerospace equipment, nuclear power control systems, vehicles, disaster/crime-prevention equipment and the like, the failure of which may directly or indirectly cause injury, death or property loss.
- Anyone purchasing any products described or contained herein for an above-mentioned use shall:
 - ① Accept full responsibility and indemnify and defend SANYO ELECTRIC CO., LTD., its affiliates, subsidiaries and distributors and all their officers and employees, jointly and severally, against any and all claims and litigation and all damages, cost and expenses associated with such use:
 - * ② Not impose any responsibility for any fault or negligence which may be cited in any such claim or litigation on SANYO ELECTRIC CO., LTD., its affiliates, subsidiaries and distributors or any of their officers and employees jointly or severally.
- Information (including circuit diagrams and circuit parameters) herein is for example only; it is not guaranteed for volume production. SANYO believes information herein is accurate and reliable, but no guarantees are made or implied regarding its use or any infringements of intellectual property rights or other rights of third parties.